

WALL
PANEL



WATERPROOF



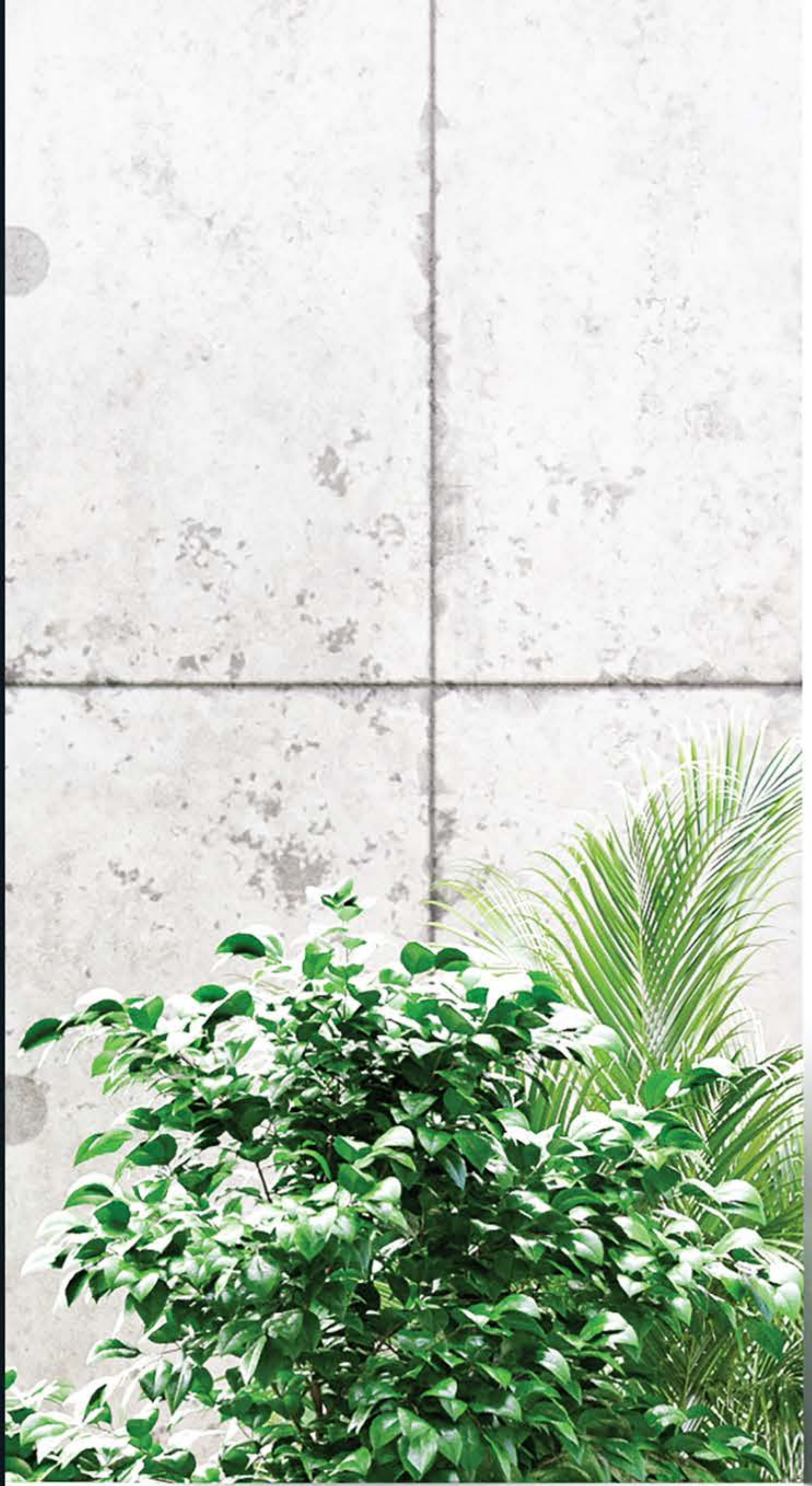
COMFORTABLE



100%
WATERPROOF
SPC
WALL PANEL



AREA
FLOORS

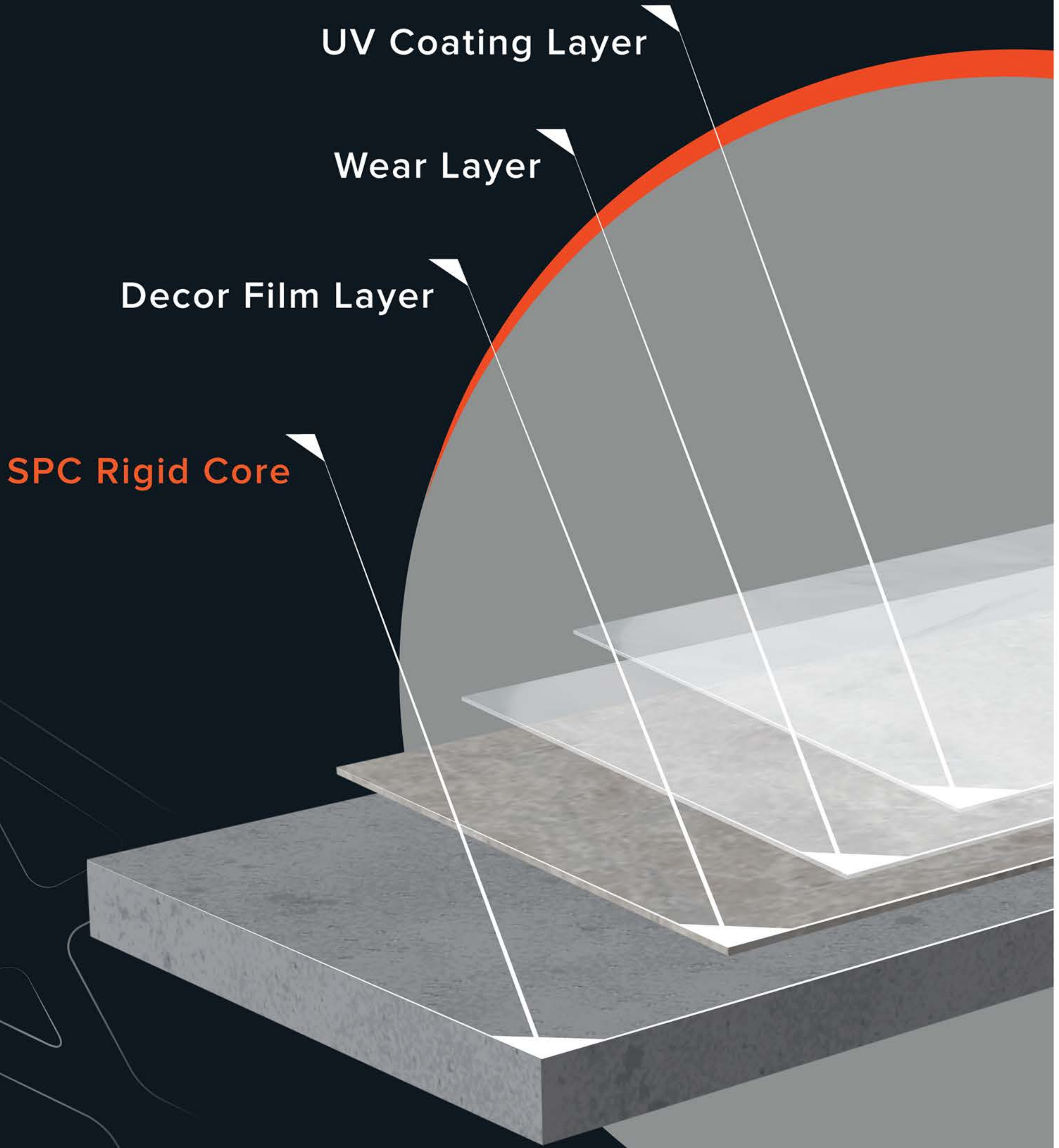


AREA
FLOORS

New **SPC**
Generation
Wall Panels

SPC WALL PANEL
COLLECTION

Diverse & Durable



WALL
PANEL



100%
WATERPROOF
SPC
WALL PANEL



Phthalate Free



eco friendly



100% Recyclable



STONE
SPC COLLECTION



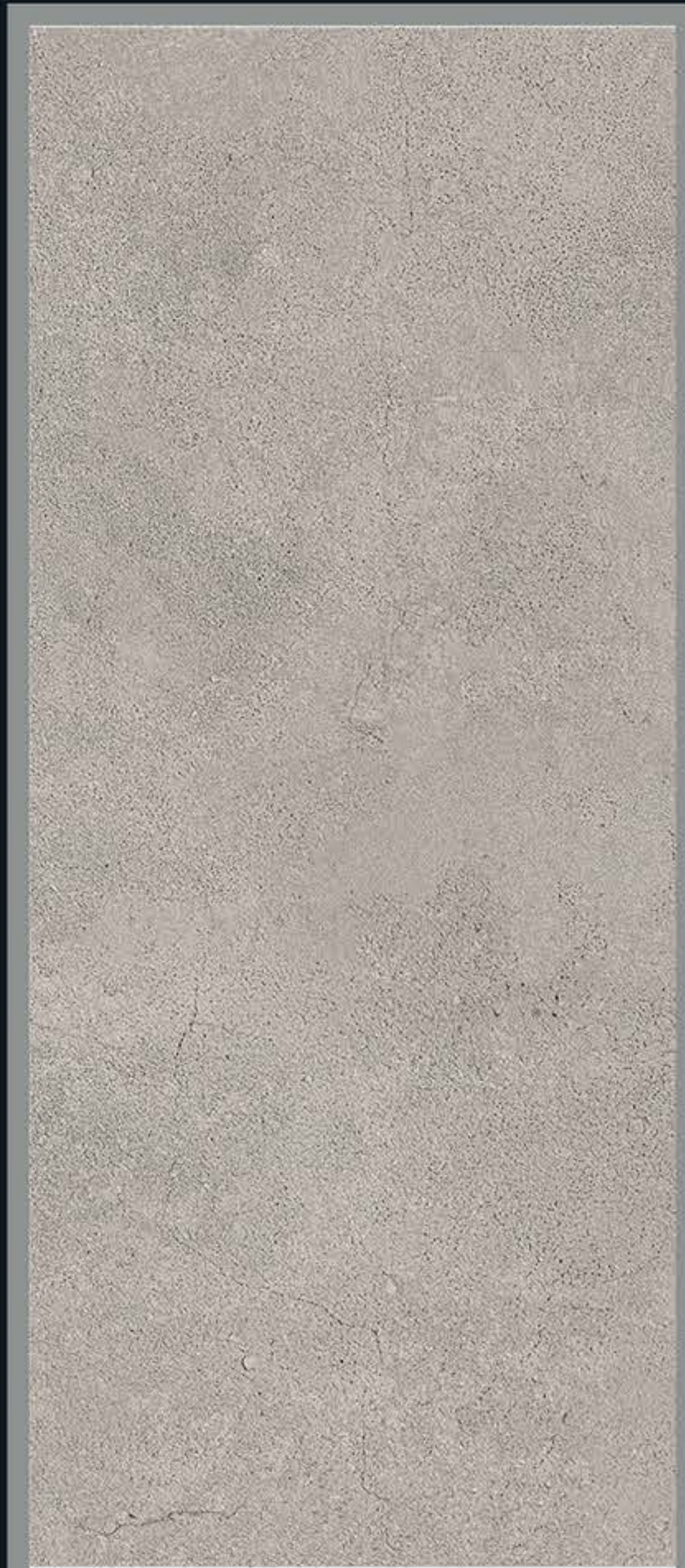
PANEL 1
965 X 2800 X 4 mm



PANEL 2
965 X 2600 X 4 mm



801
CONCRETE
LIGHT WALL



802
CONCRETE
SAND WALL



803
CONCRETE
GREY WALL



804
CONCRETE
DARK WALL



MARBLE

SPC COLLECTION



PANEL 1
965 X 2800 X 4 mm



PANEL 2
965 X 2600 X 4 mm



805
CARRARA
MARMOR WALL



806
BOTTICINO LIGHT
WALL



807
MONREAL SLATE
WALL



808
BOTTICINO DARK
WALL



WOOD
SPC COLLECTION



PANEL 1
965 X 2800 X 4 mm



PANEL 2
965 X 2600 X 4 mm



203
HAVANA OAK
WALL



204
SLATE OAK
WALL



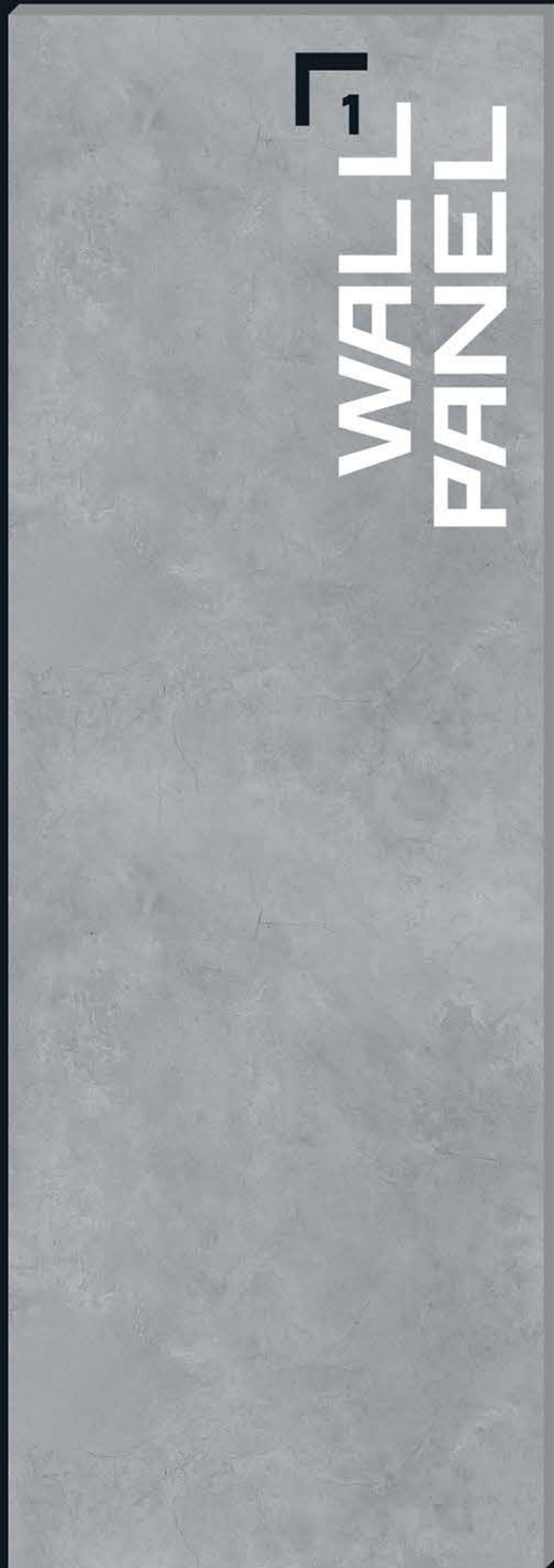
208
WALNUT OAK
WALL



210
CAMBRIDGE OAK
WALL



SPC Wall Panel Collection Size



2800 mm

965 mm



2600 mm

965 mm

SPC WALL PANEL 1

4 mm

0.20 mm

Piece	Pallet
1 pcs	60 pcs
2.70 m ²	162.12 m ²
21.61 kg	1296.96 kg

SPC WALL PANEL 2

4 mm

0.20 mm

Piece	Pallet
1 pcs	60 pcs
2.50 m ²	150.54 m ²
20.07 kg	1204.2 kg





New **SPC**
Generation
Flooring